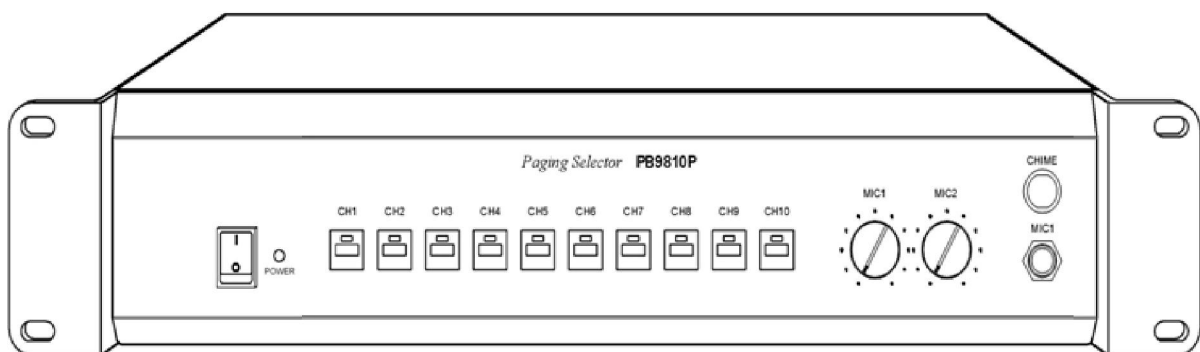




# PB9810P PAGING SELECTOR



## OWNER'S MANUAL

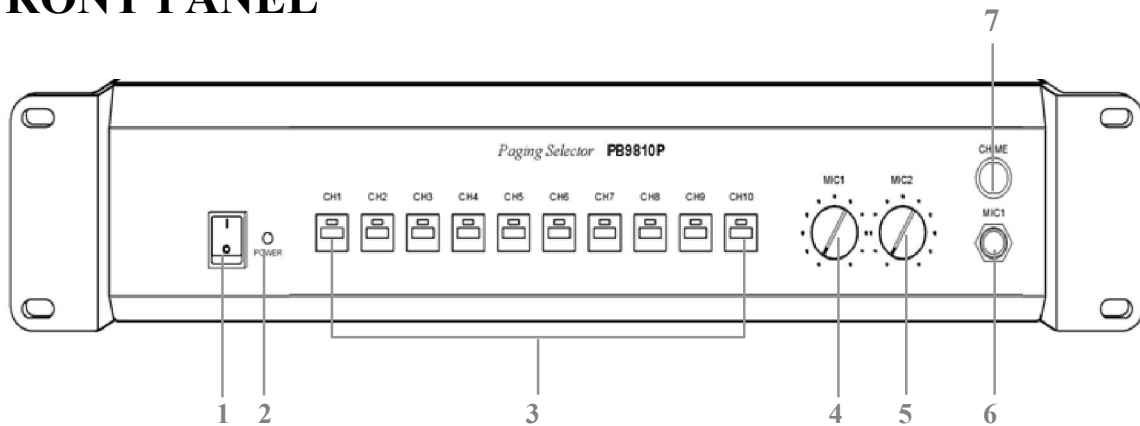
---

Before operating, please read this manual completely.

### FEATURES

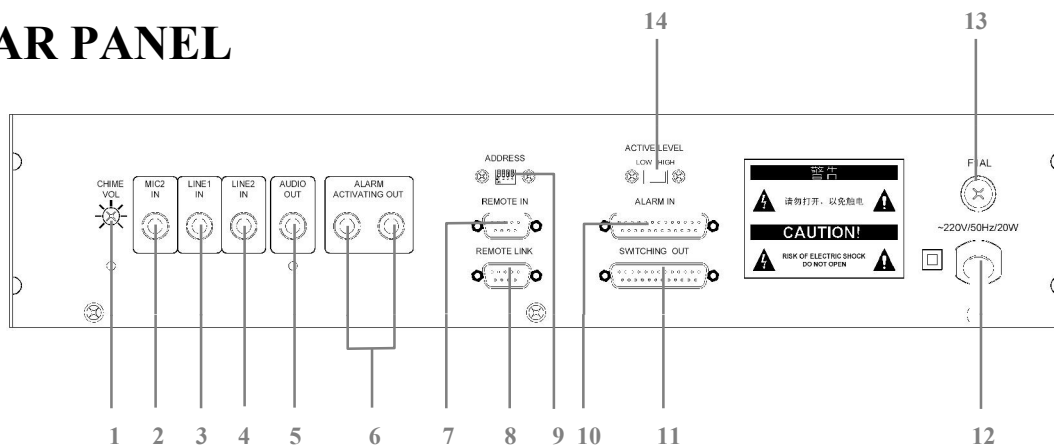
- **10 Channels**
- **Alarm activating**
- **2 MIC, 2LINE input**
- **Chime & Mute function**
- **Remote-control available**

## FRONT PANEL



- |                   |                    |
|-------------------|--------------------|
| 1 Power switch    | 5 Mic 2 Volume     |
| 2 Power indicator | 6 Mic 1 Input jack |
| 3 Switchers       | 7 Chime button     |
| 4 Mic 1 Volume    |                    |

## REAR PANEL



- |   |                          |
|---|--------------------------|
| 1 Chime volume                            | 8 Remote Link            |
| 2 Mic 2 Input jack                        | 9 Address for remote     |
| 3 EMC/Line 1 Input jack (Emergency input) | 10 Alarm Input           |
| 4 Line 2 Input jack                       | 11 Switching Output      |
| 5 Audio Output                            | 12 Mains                 |
| 6 Alarm Activating Output                 | 13 Fuse                  |
| 7 Remote Input                            | 14 Active Level of Alarm |

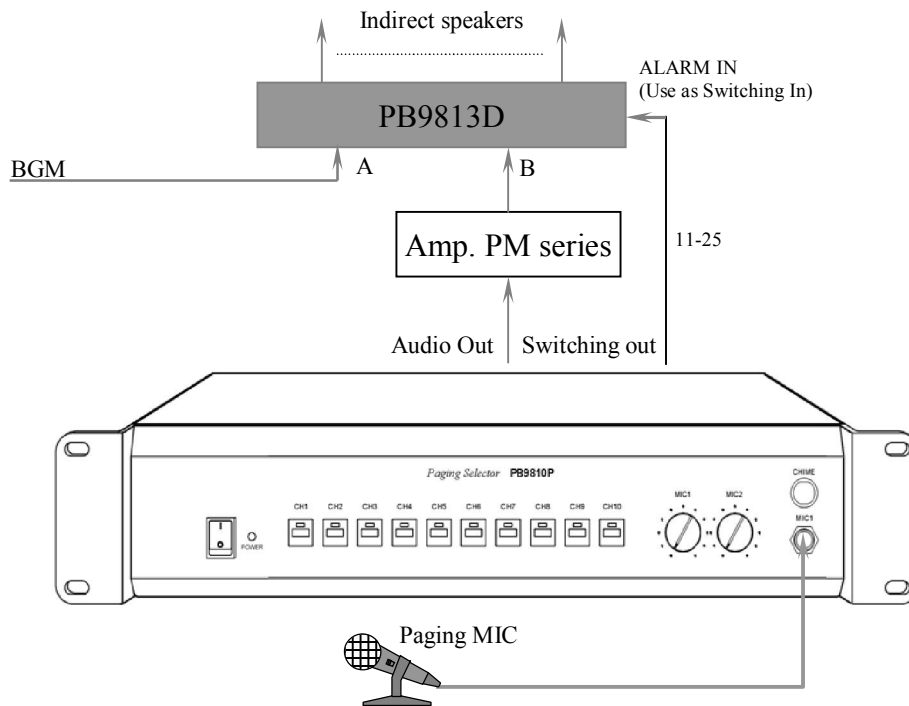
## MUTING FUNCTION

Signal from **MIC2** and **LINE2** are automatically muted by signal from **MIC1** (**MIC1** input overrides **MIC2** and **LINE 2** signals).

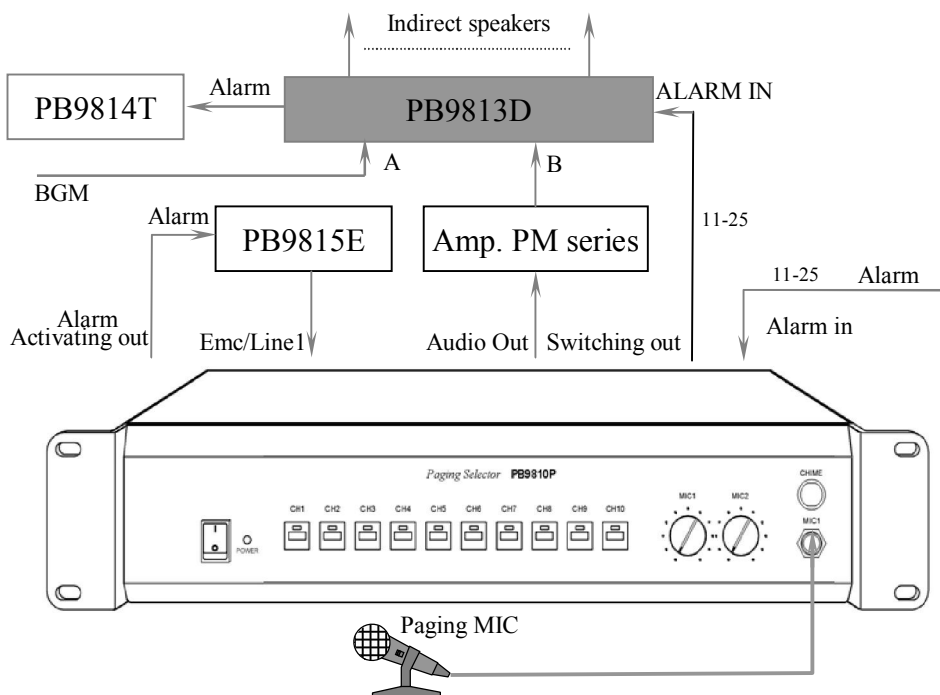
Signal from **MIC1**, **MIC2** and **LINE2** are automatically muted by signal from **LINE1** (**LINE1** input overrides the other input signals).

# CONNECTIONS

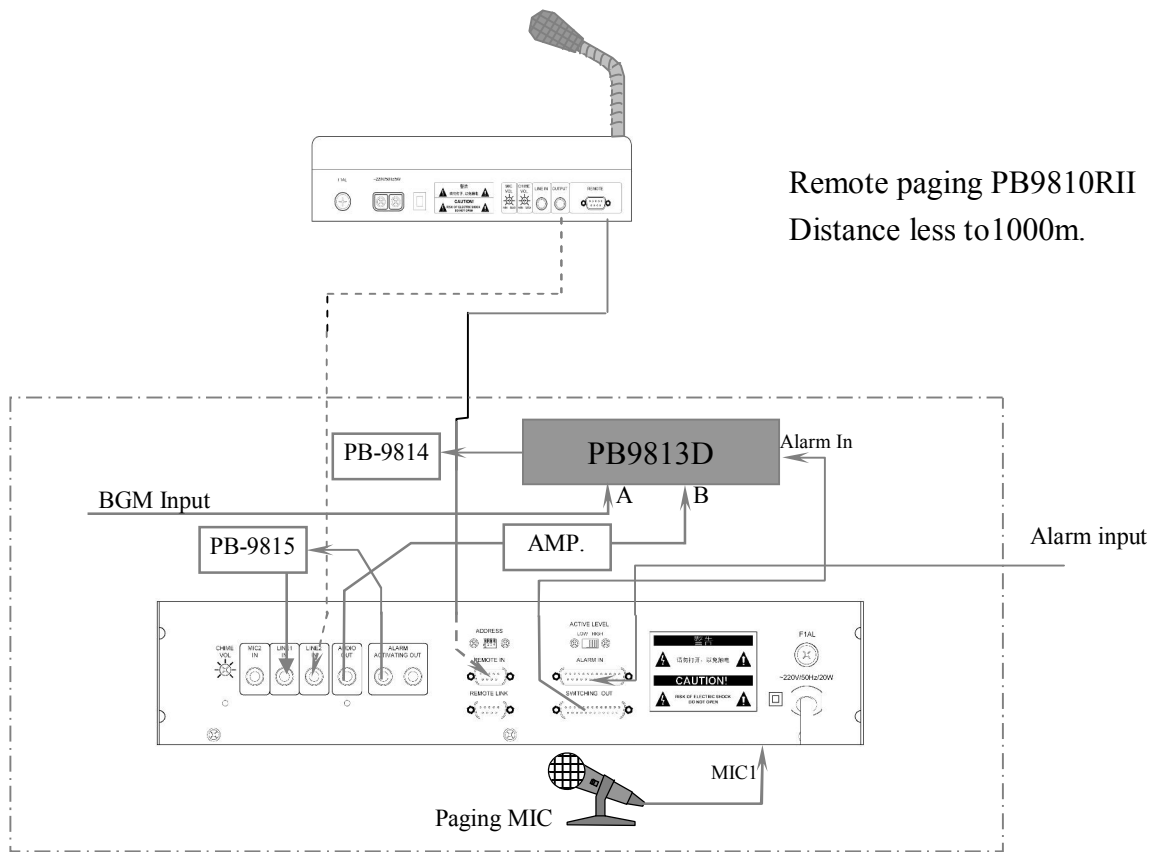
## Easy mode (without ALM)



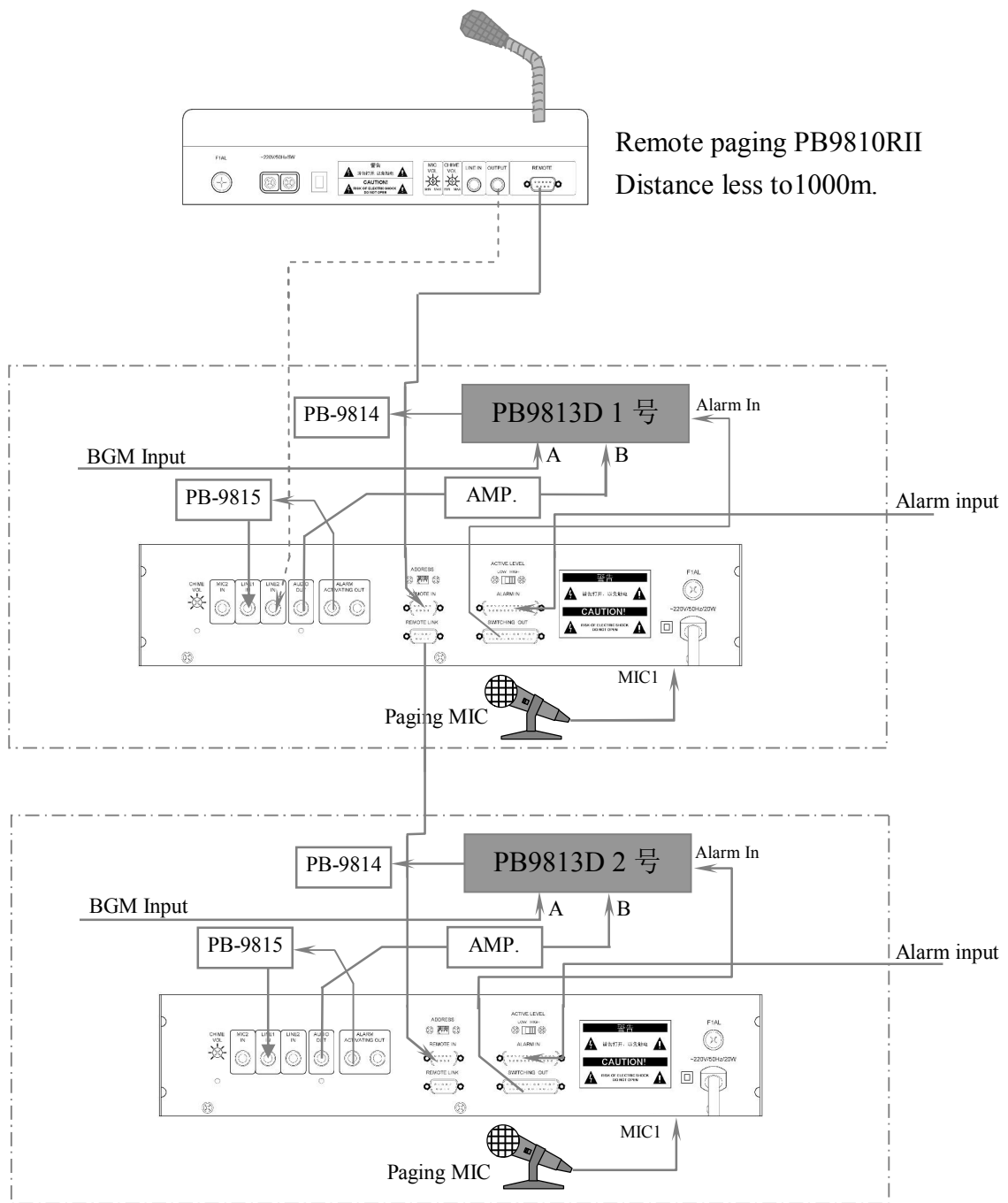
## Basic mode



### Simple remote mode (one PB9810P)



### Complex remote mode (more PB9810P)



Remote paging PB9810R11  
Distance less to 1000m.

**NOTE:** The figure is show use a remote paging PB9810R11 call two PB9810P, 20 districts with two PB9813D together. If used more than two PB9810P, the connection is analogically.

# OPERATION

1. While press down any switch of **CH1-CH10** on front panel with its indicator lit, the paging channel will be switching on respectively. Press the switch again with the indicator getting off for resetting.
2. Pin **1-10** of **ALARM IN** to be connected to fire center are the live terminals of **CH1-CH10** respectively. And, Pin **11-25** are **COMs** (refer to fig1). **+12V to 24V** - high level or **0V** - low level is available for alarm activating. While **ACTIVE LEVEL** set at **HIGH**, high level is valid; while **ACTIVE LEVEL** set at **LOW**, low level (grounded signal) is valid.
3. Switch **Address** is for **Remote** only. If there are more than one **PB9810P** in **Remote System**, they must be addressed with different priority each other. How to set the switch ADDRESS please reference the table list:

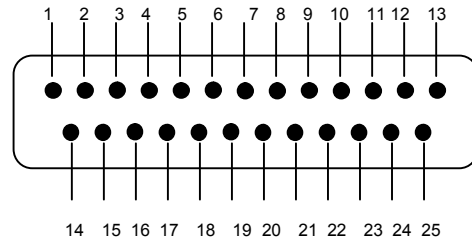


fig.1

NUM.	DIP SET	NUM.	DIP SET	NUM.	DIP SET	NUM.	DIP SET
1		5		9		13	
2		6		10		14	
3		7		11		15	
4		8		12		16	

The gray block is indicated the place of the ADDRESS switch.

## SPECIFICATIONS

Inputs	Mic1, 2: 600Ω, 2.5mV, unbalanced Line1, 2: 10kΩ, 250mV, unbalanced
Audio output	0dBV
Frequency response	Mic: 100Hz-15kHz (±3dB) ; Line: 20Hz-18kHz (±3dB)
Signal to noise ratio	Mic input : 80dB Line input : 90dB
ALM Activation Level	0V or +12 to 24V Preset available
Protection	AC fuse
Power Requirement	AC 220-240V/50-60Hz
Outer Packing Size (mm)	(L×W×H) 530×440×195
Unit Size (mm)	(L×W×H) 484×365×88
Gross weight	8.8kg
Net weight	7kg

Specifications are subject to be changed without notice.

### CAUTION

- When the “Power switcher” is off, please pull out the power cord from the socket. Please keep the equipment out of water.
- To reduce the risk of electric shock, do not remove the cover.
- No user parts inside. Refer servicing to qualified service personnel.

LY International Electronics Co., Ltd.

[Http://www.lyintlcorp.com/](http://www.lyintlcorp.com/)